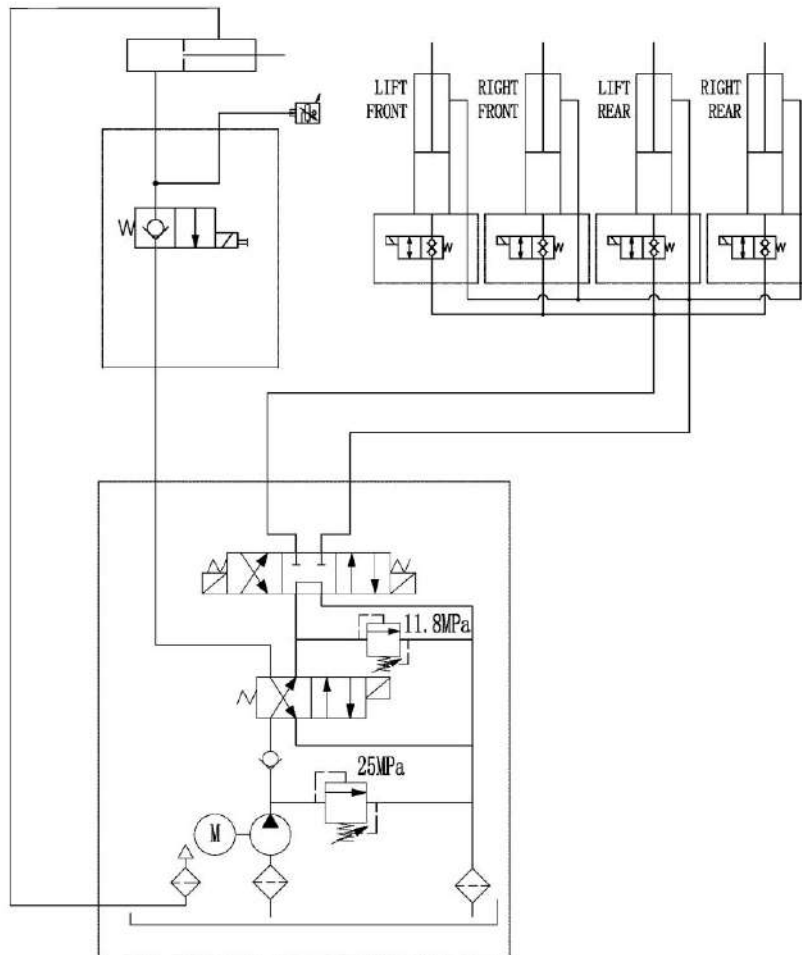


Hydraulic Schematic Diagram

F3820TL



Electrical Schematic Diagram

F3820TL

